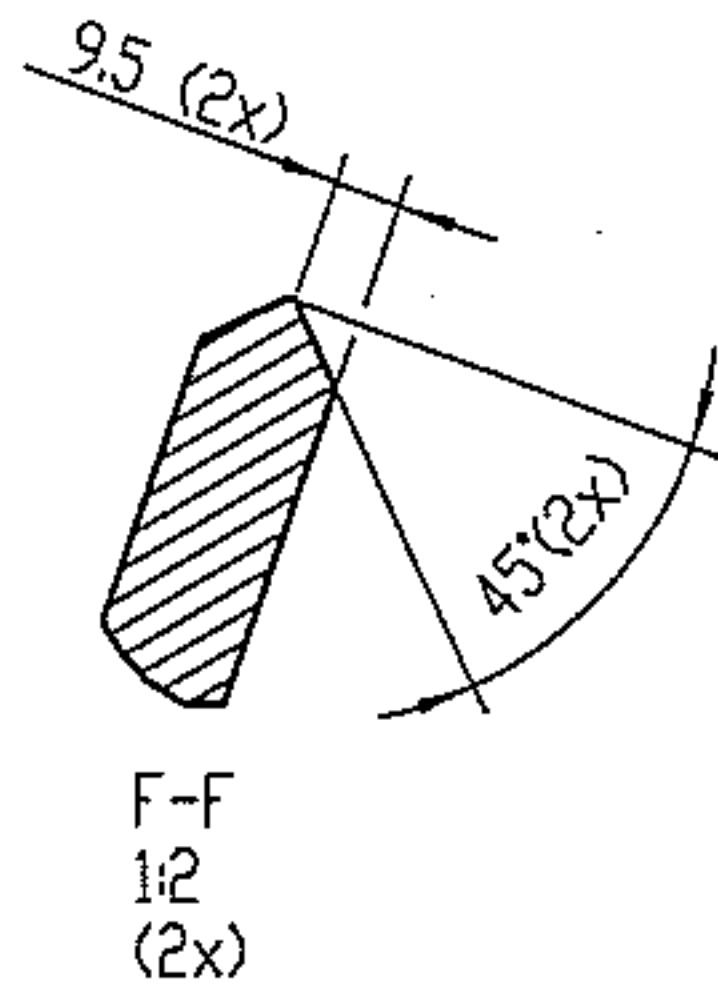
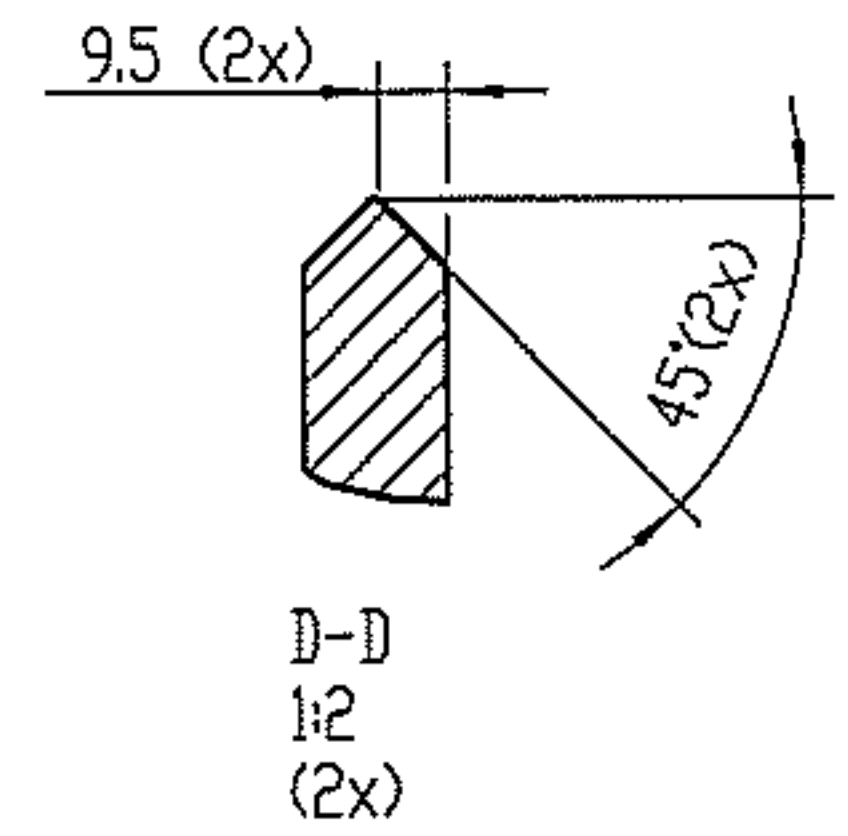
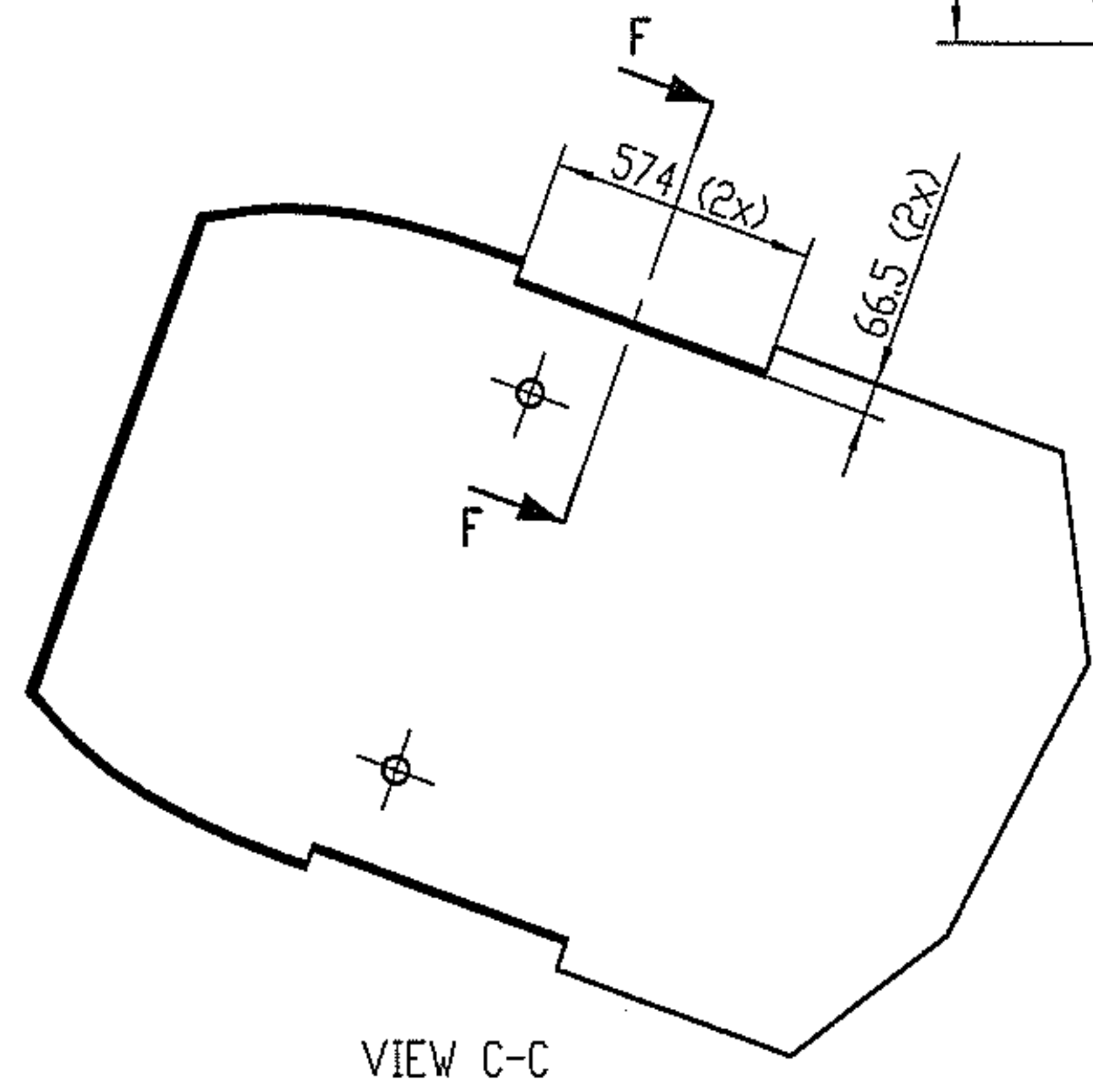
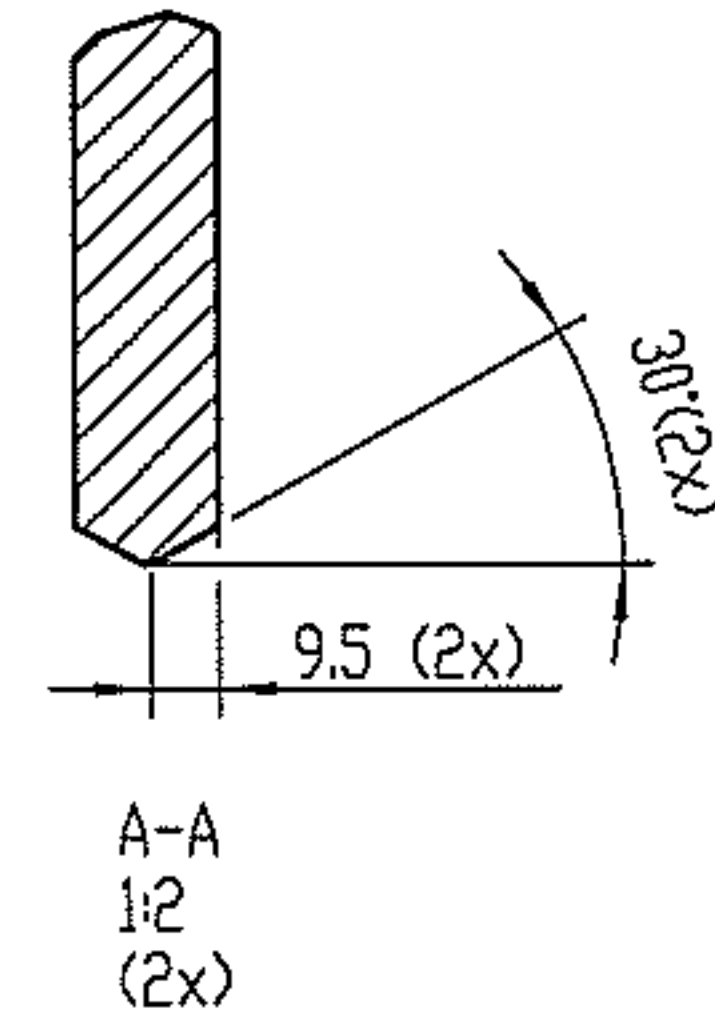
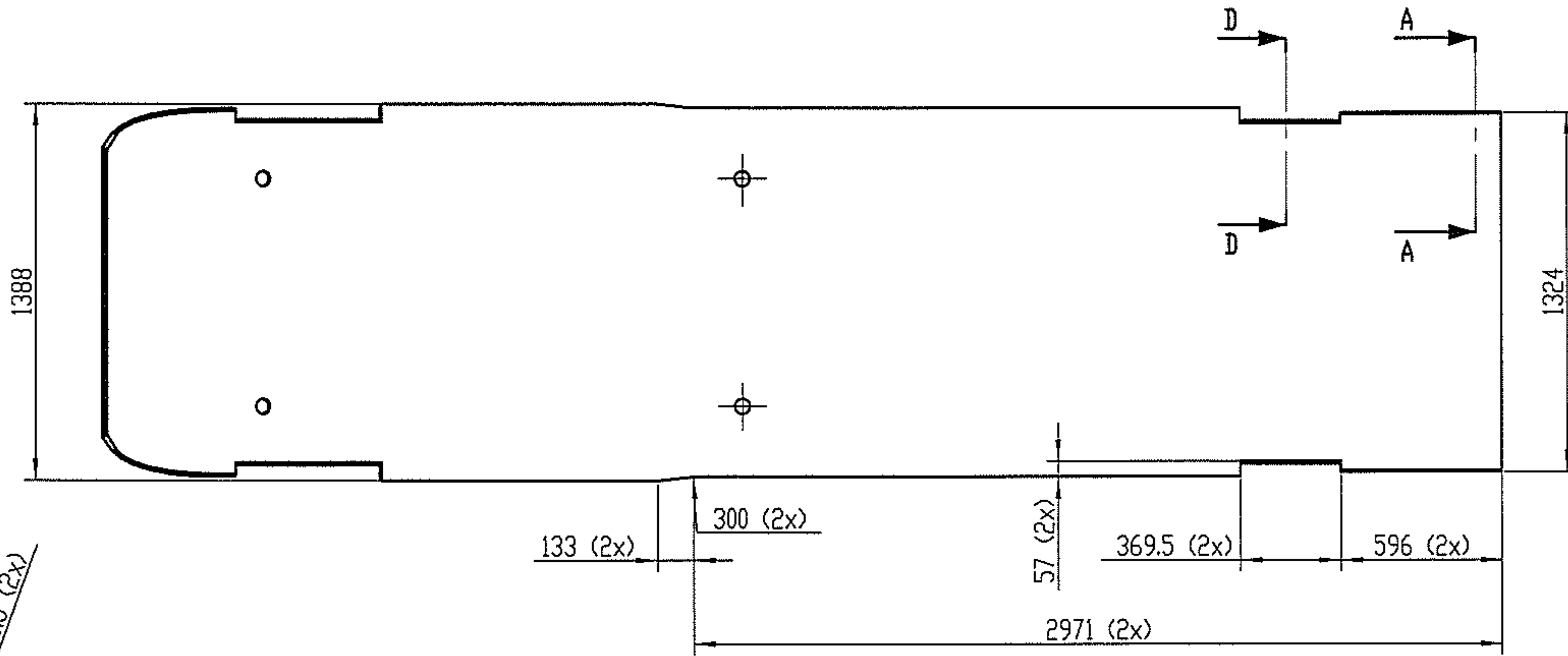
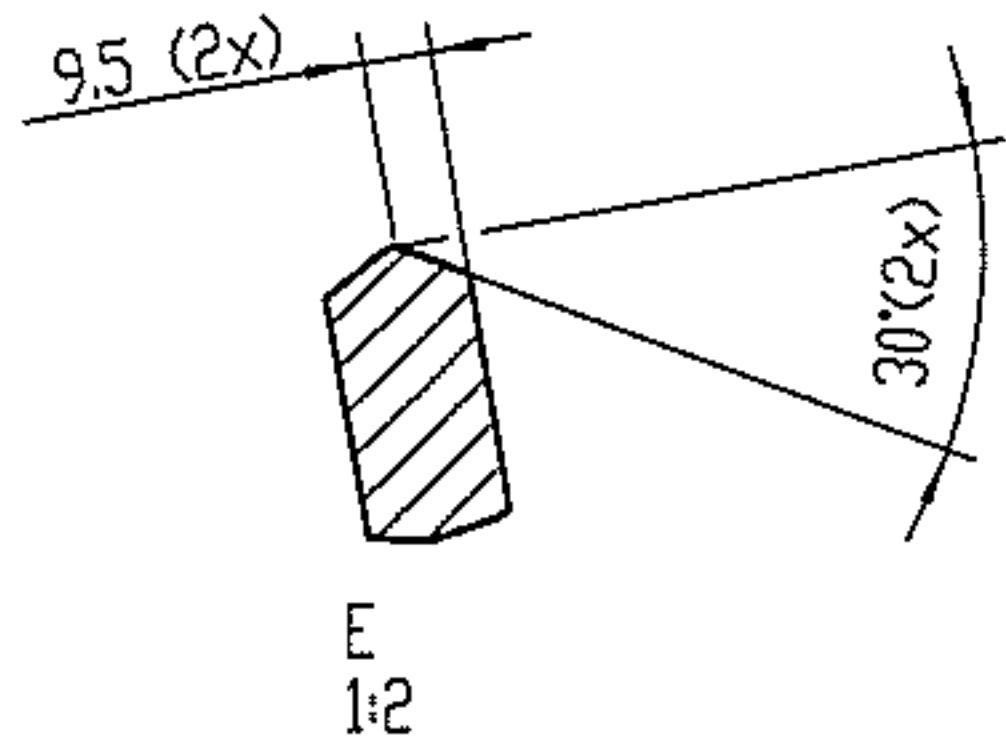
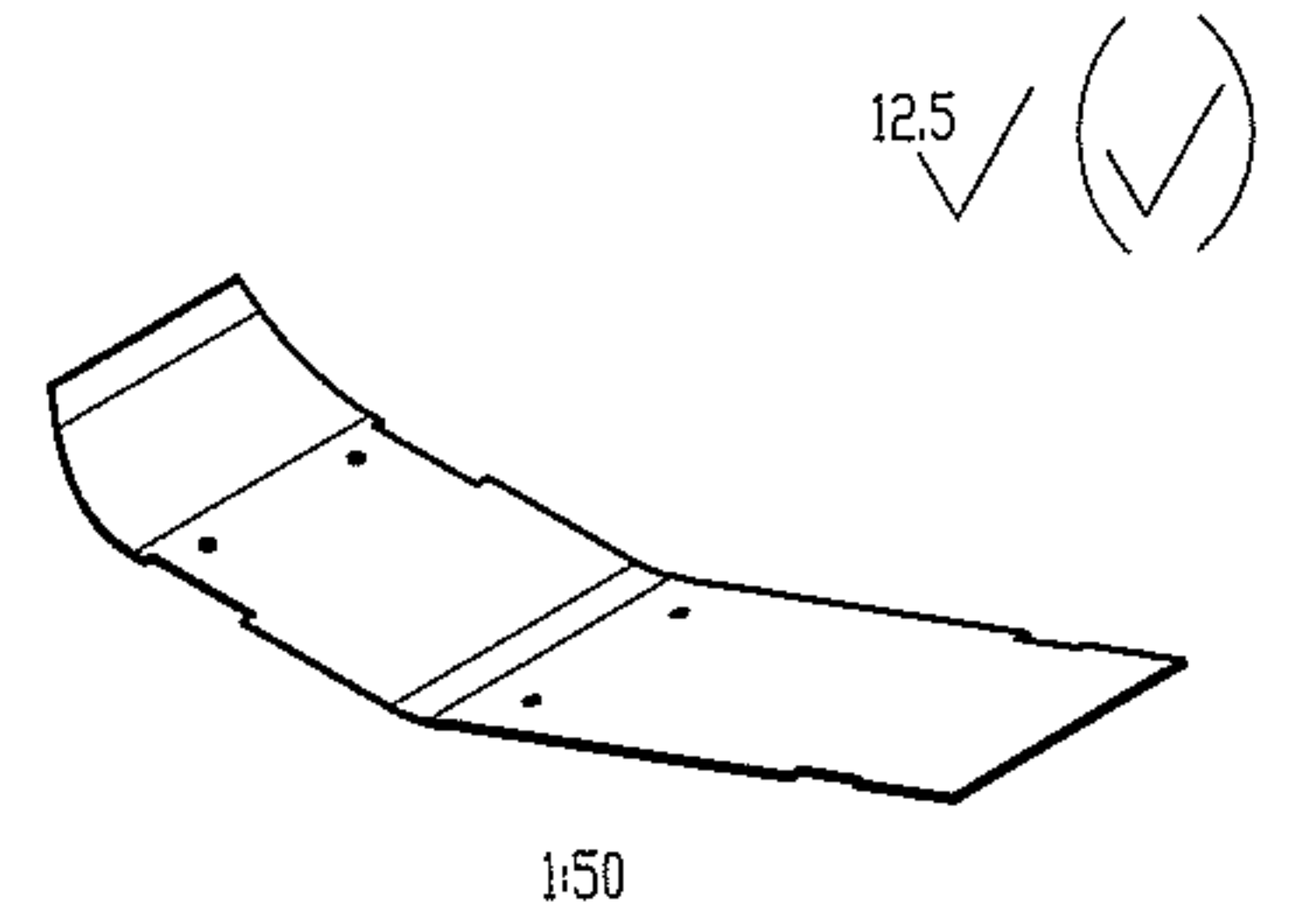
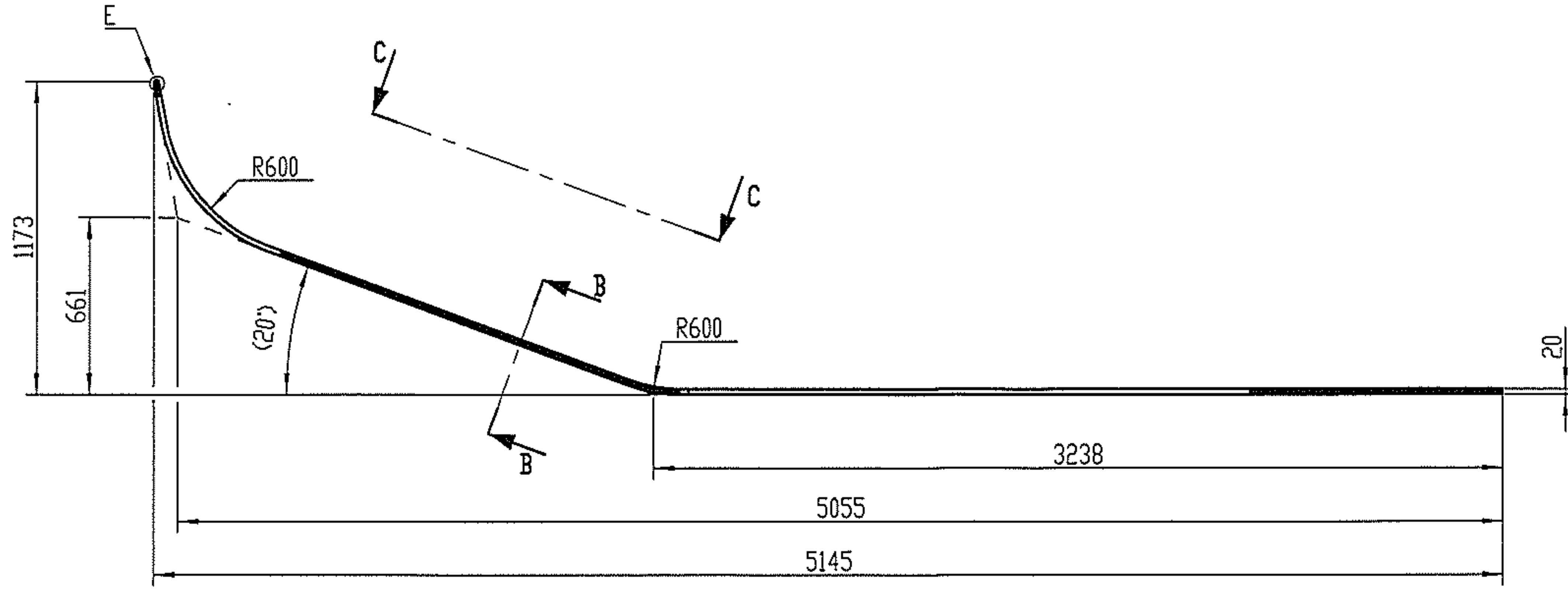
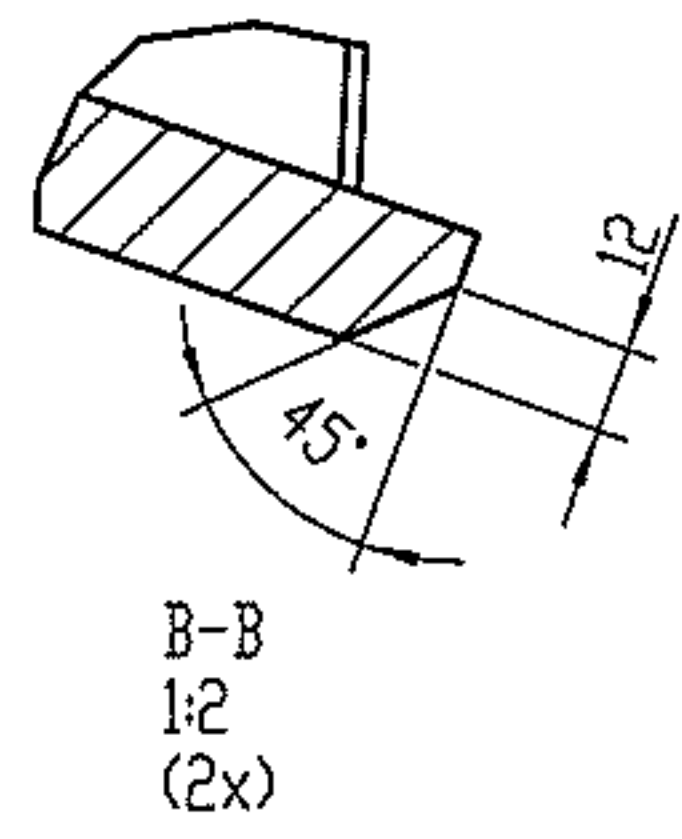


Only for Eproc Internal Use
 Model name
 Idj 15590020468
 Rev Ver 12 0

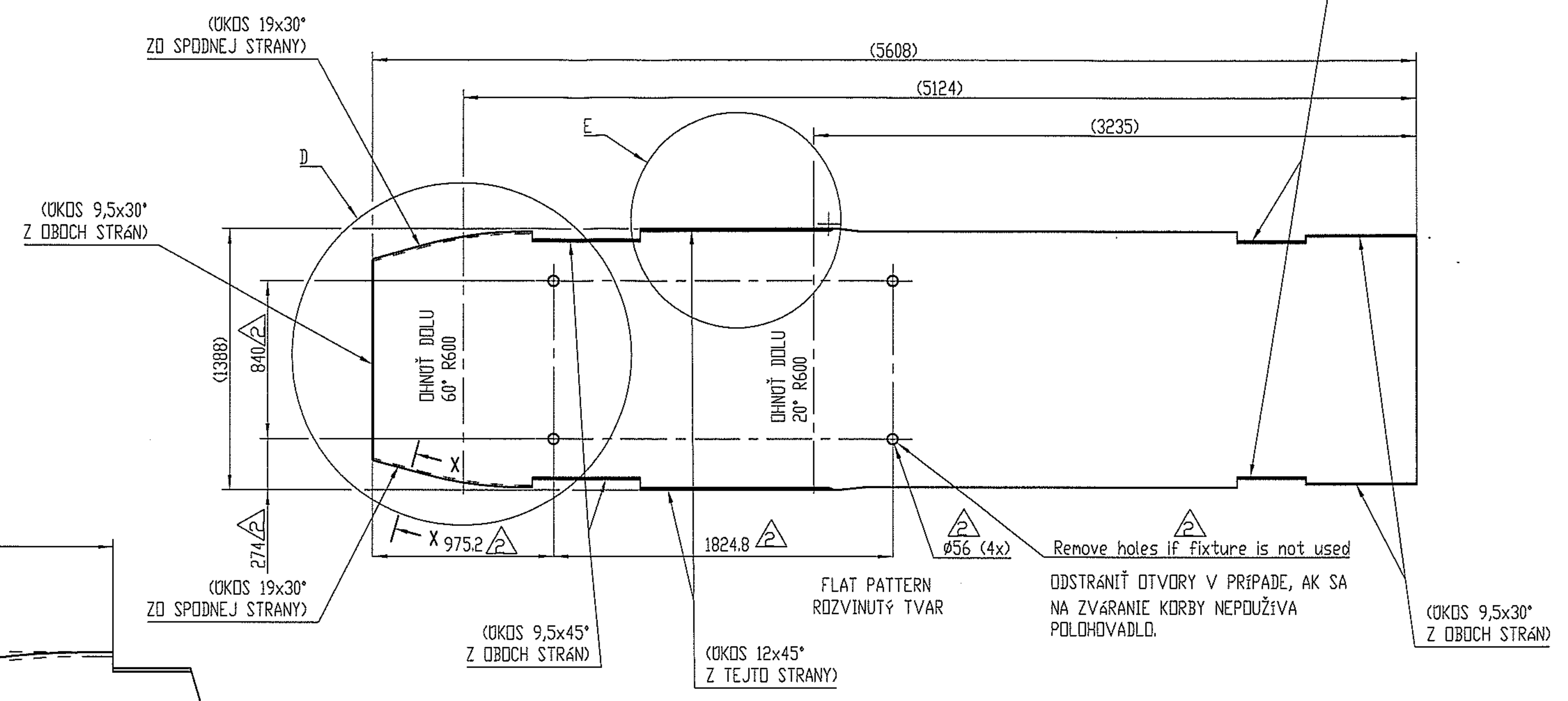
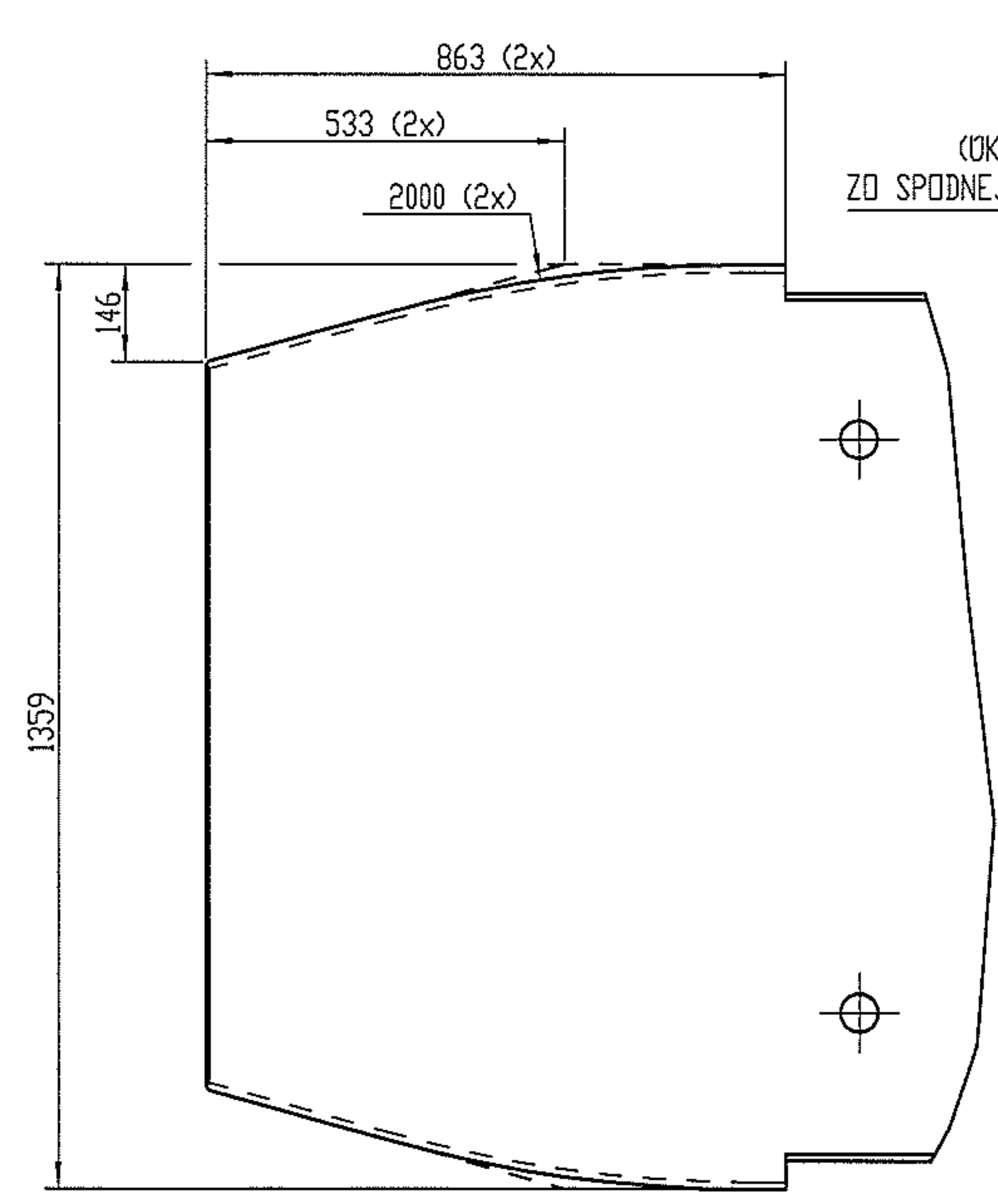
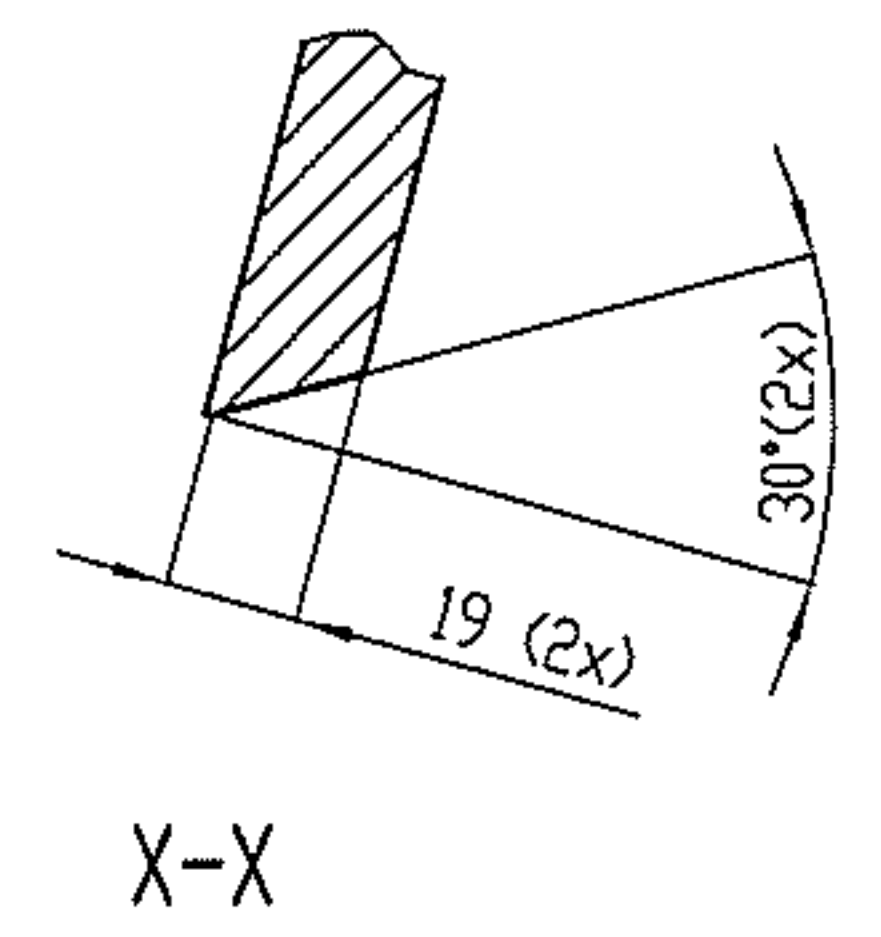


NOTE:
 DIMENSIONS ON DRAWINGS ARE THEORETICAL. FINAL DIMENSIONS ON
 DETAIL DEPENDS ON MANUFACTURING METHOD OF WELD ASSEMBLY. FOR
 INSTANCE MUST CONSIDERATION BE TAKEN TO SHRINKAGE WHEN WELDING

Property of Eproc Rock Drills AB. Any
 copying, distribution, reproduction or any part
 thereof is prohibited.

Rev.	Ver.	Position	Modified From	Date	Mod.by	Chd.by	Appd.by	CN Id
2	0	-	Holes added.	2018-01-19	IPCXSH	TMGJRI	TMGAFH	-

Dwg. for Eprac Internal Use	Rev.	0
Model name	Rev.	2
(Obj.) 5559020468	Ver.	0



Property of Eprac Rock Drills AB. Any unauthorized disclosure or use of this information is prohibited.

Rev.	Ver.	Position	Modified From	Date	Mod.by	Chd.by	Appd.by	CN Id
2	0	-	Holes added.	2018-01-19	IPCXSH	TMGJERI	TMGAFH	-